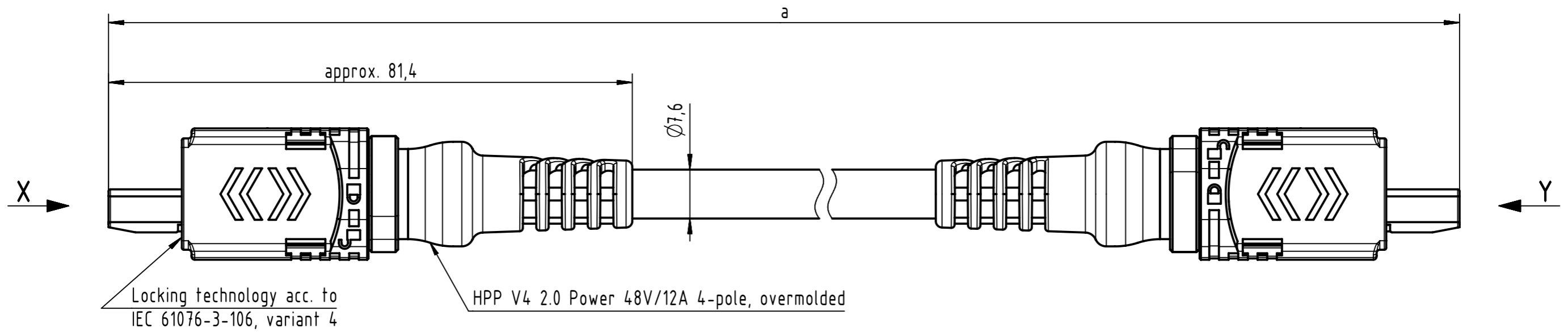


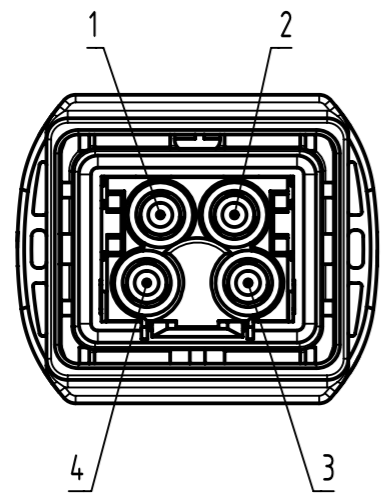
Connector Location A

Connector Location B



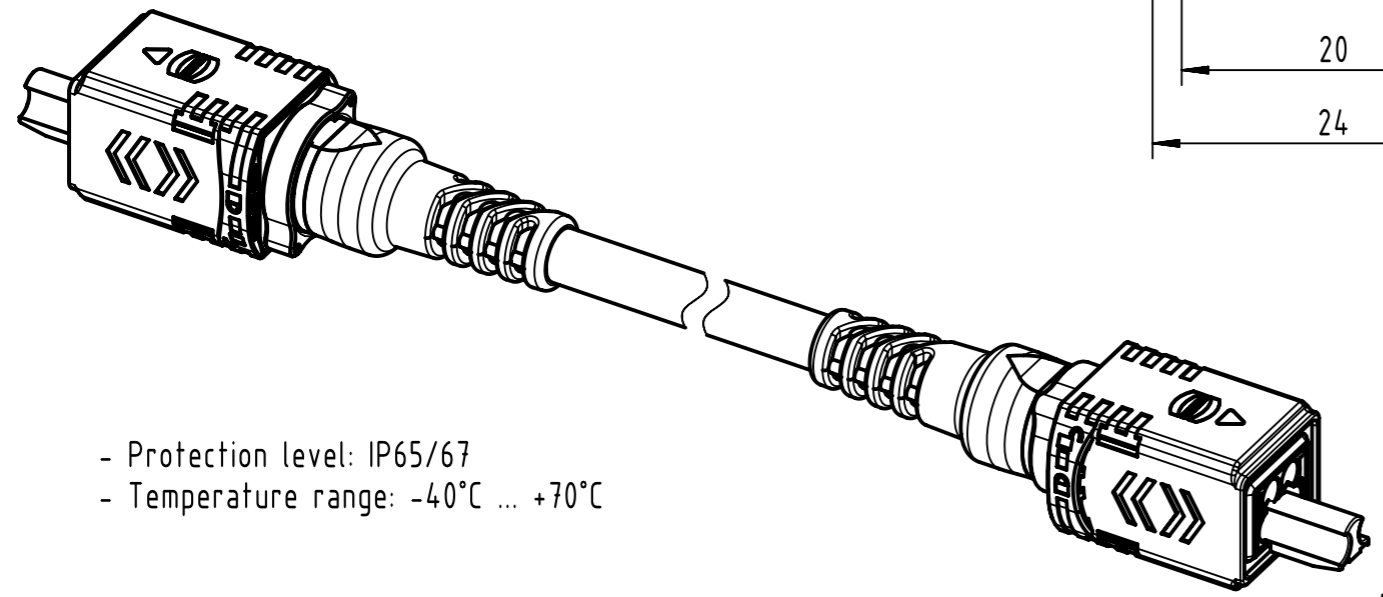
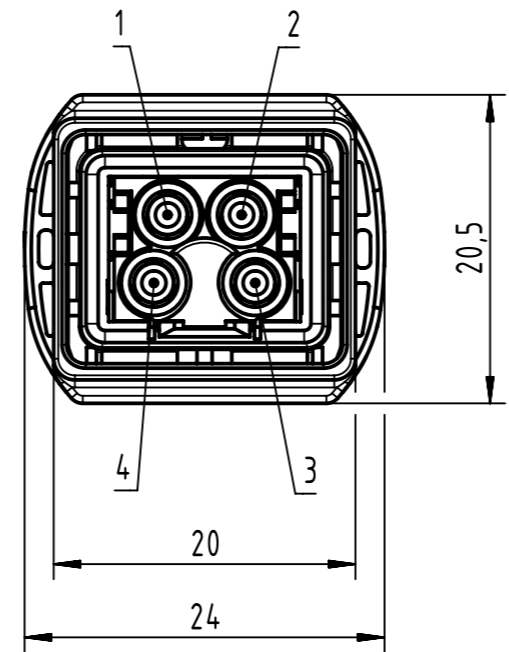
X
male

Y
male



Loading Plan

- 1 black 1
- 2 black 2
- 3 black 3
- 4 green/yellow



- Protection level: IP65/67
- Temperature range: -40°C ... +70°C

length in "1m" step	100	XXX=000
	99	XXX=990
	.	.
	12	XXX=120
	11	XXX=110
length in "0.1m" step	10	XXX=100
	9.9	XXX=099
	9.8	XXX=098
	.	.
	0.5	XXX=005
	0.4	XXX=004
	0.3	XXX=003
0.2	XXX=002	
Step	a [m]	XXX

6.0 to 100	±1%
0.6 to 5.9	+0.04
0.2 to 0.5	+0.02
a [m]	Tolerance

JZ-500, 4G1.5mm ² HMH, grey	3359222XXX0012
Type of cable	Part no.

	All rights reserved	Created by STOCHECIC Stocheici	Inspected by COSTEA Costea	Standardisation MUNTEANV Muntean	Date 2021-06-22	State Final Release	
	Department HCS - RO	Title PPv4 2.0 Power 48V/12A 4G1,5qmm HMH				Doc-Key / ECM-Nr. 100954460/UGD/000/A 500000197279	
HARTING Customised Solutions D-32339 Espelkamp		Type TB	Number 3359222XXX0012			Rev. A	Page 1/1